

125KHz/13.56MHz Fingerprint Identification Proximity Reader

- LX006 : 125KHz (PSK Format/IDC Type) Proximity RF Card / Fingerprint Recognition
- LX006SR : 13.56MHz (MIFARE, ISO14443 Type A Compatible) SMART Card / Fingerprint Recognition



System Features

- Identification Mode: RF, Fingerprint, RF+Fingerprint
- Operation Mode (RF, RF+Fingerprint) Switches Over Automatically According to the Time Schedule Configured on the Controller
- User Registration and Deletion Using the Master Card
- Fingerprint Template Upload/Download via Laptop (Optional RS232 Stereo Jack Required)
- Designed to Withstand ESD (Electro Static Discharge) Shock
- Firmware Upgrade via Remote Control
- Voice Guide Output and Multi-Language Support
- Tamper Switch (1 EA)
- Reverse Polarity Protection
- Supervisory Signal Transmission for Device Operation Status Check (Optional)



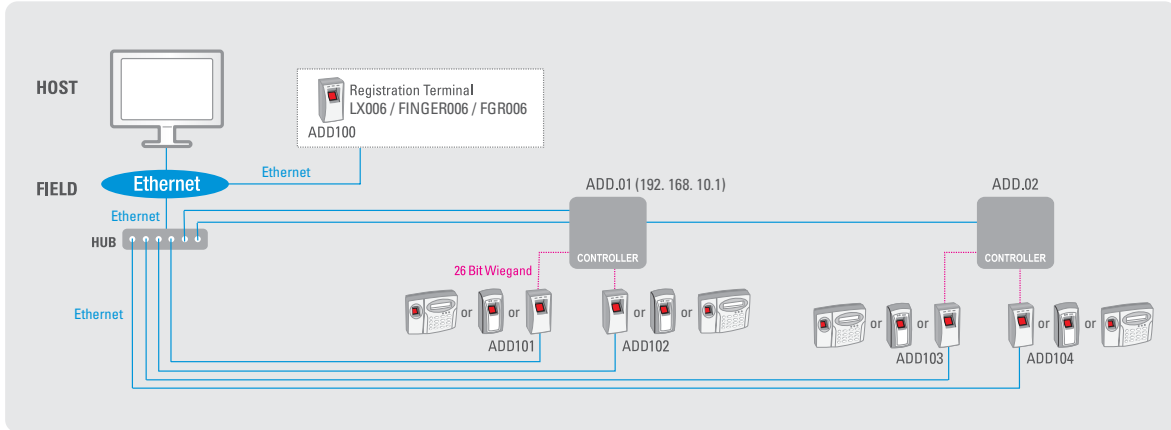
Upload / Download Fingerprints using Laptop



Model		LX006	LX006SR
CPU		32 Bit ARM9, Dual 8 Bit Microprocessor	
Memory	Fingerprint Module	Program	1M Byte Flash Memory
		Data	1M Byte / 2M Byte / 4M Byte Flash Memory
	Controller	Program	128K Byte Flash Memory
		Data	256K Byte Flash Memory / 32K Byte SRAM
Fingerprint Registration		1,000 / 2,000 / 4,000	
User IDs		10,000 Users (Including Fingerprint Registration)	
Fingerprint Template Size		800 Byte for 2 Fingerprints	
Reading Range		IDC80/IDC170 : Up to 10cm	IHC80 : Up to 5cm ISC80 : Up to 10cm
Card Reading Time		30ms	
1:1 Verification/1:N Identification Time		Less than 1 Sec. / Less than 2 Sec.	
Power / Current		DC12V / Max 290mA	DC12V / Max 310mA
Communication		RS232/RS485(Max.32ch), Ethernet	
Communication Speed	Serial	57,600 bps (Default) / 9,600 bps / 19,200 bps / 38,400 bps (Selectable)	
	Ethernet	10/100Mbps	
Input Port		3 EA : LED, Buzzer, Operating Mode Control	
Output Port		3 EA : Error-Output, OK-Output, Tamper-Output (Open Collector)	
Output Type		26 Bit Wiegand(Default), ABA Track II(Selectable)	34 Bit Wiegand(Default), ABA Track II(Selectable)
Voice Output		Basic : English, Korean, Chinese, Spanish Arabic Selectable : French, Italian, Russian, German, Thai	
LED Display / Buzzer		3 LED Indicators / Piezo Buzzer	
Operating Temperature	Fingerprint Module	-15° ~ +40°C	
Operating Temperature	RF Reader	-35° ~ +65°C	
Operating Humidity		10% ~90% Relative Humidity Non-Condensing	
Color / Material		Black, Red Wine, Silver, Dark Gray, Black & Gold / Polycarbonate	
Dimension (W x H x T) / Weight		69 x 127 x 43mm / 230g	
Certification		FCC, CE, KCC, RoHS	
Fingerprint Module Specification			
Resolution		500dpi	
Capture Image Size/Extract Image Size		640 x 480 pixels / 260 x 300 pixels	
Sensor Area / Scanner		15 x 18.5 mm / High Quality Optical Sensor	
FAR(False Acceptance Ratio)/FRR(False Reject Ratio)		0.001% / 0.1%	
ESD Tolerance		±8 KV	

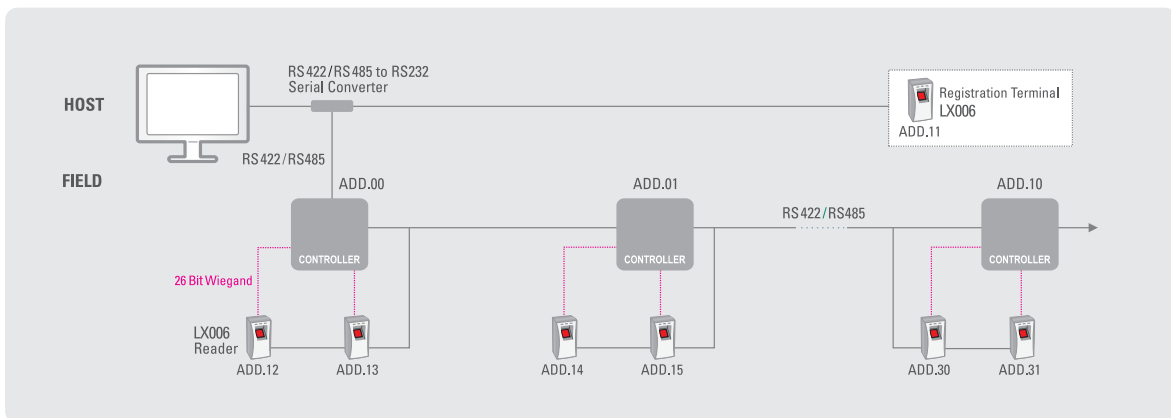
LX006 / FINGER006 / FGR006 Series

- Ethernet Communication



LX006 Series

- Connect IDTECK Controller with Fingerprint Reader (Serial Communication)



- Connect Third Party Controller with Fingerprint Reader (Serial Communication)

